



MMS 212

1/2" Measurement Microphone

for rugged environment

- free-field
- 3,5 Hz to 20 kHz
- 15 dBA to 139 dB
- IEPE (BNC)
- TEDS acc. IEEE 1451



The 1/2" measurement microphone MMS 212 is very insensitive to extreme temperatures, moisture, dust and vibration. This is achieved by a special design of protection grid, pressure compensation opening and plug connector.

The MMS 212 complies the IP rating IP 67 and can be calibrated with a standard 1/2" sound calibrator. An integrated power-on indicator permanently indicates correct function and ensures reliable measurements.

Delivery

in wooden case 127 mm x 87 mm x 55 mm

stainless steel

order number: 318020

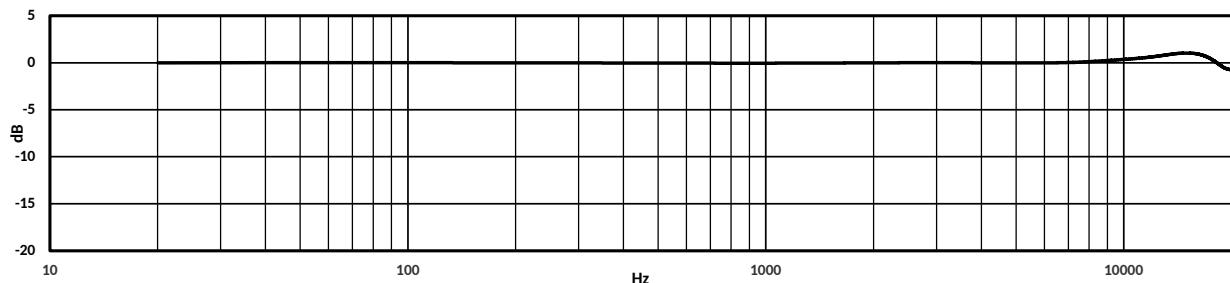
Accessories

BNC cable, IP 67, length: 2 m	BNC.02 IP 67	order number: 302252
BNC cable, IP 67, length: 5 m	BNC.05 IP 67	order number: 302253
BNC cable, IP 67, length: 10 m	BNC.1 IP 67	order number: 302254
Microphone holder, turnable	MH 64	order number: 302332

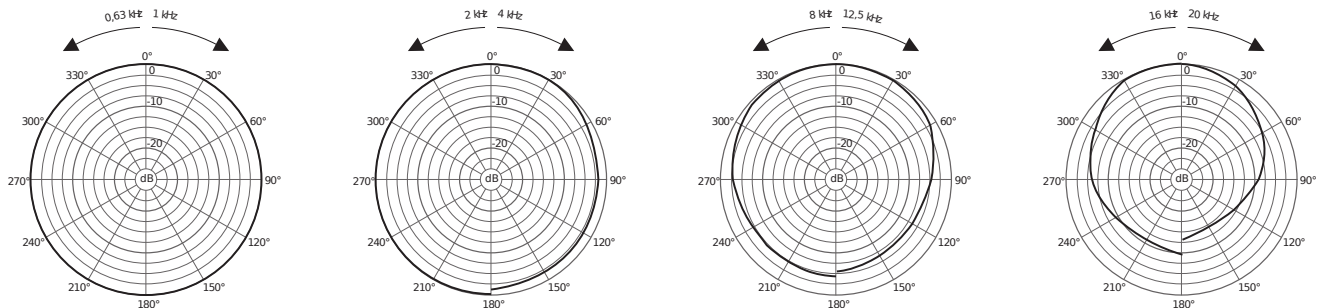
Technical Specifications



Transducer type	Capacitive pressure transducer	
Sensitivity	50 mV/Pa	
Sensitivity	re 1 V/Pa	-26 dB \pm 1.5 dB
Frequency range	\pm 2 dB	3.5 Hz bis 20 kHz
Max. SPL for 3% THD at 1 kHz	Peak	139 dB
	RMS	136 dB
Inherent noise	15 dBA	
Output impedance	< 100 Ohm	
Power supply	24 V DC to 30 V DC	2 mA to 20 mA
Temperature range, operation	-40 °C to +125 °C	
Temperature range, storage	-40 °C to +80 °C	
Temperature coefficient	at 250 Hz	\geq 0.01 dB/K
Static pressure coefficient	at 250 Hz	-0.00001 dB/Pa
Humidity limits	r.H. < 100%, absence of condensation	
Diameter	without protection grid	12.7 mm \pm 0.05 mm
	with protection grid	13.2 mm \pm 0.05 mm
Length	97 mm	
Weight	45 g	
Plug	BNC	
Microphone identification memory	256-Bit 1-Wire™ EEPROM	
IP rating	IP 67	



Typical free-field response



Microtech Gefell GmbH · Georg-Neumann-Platz · 07926 Gefell · Germany

Phone +49 (0)36649 882-0 · Fax +49 (0)36649 882-11 · www.microtechgefell.de · info@microtechgefell.de